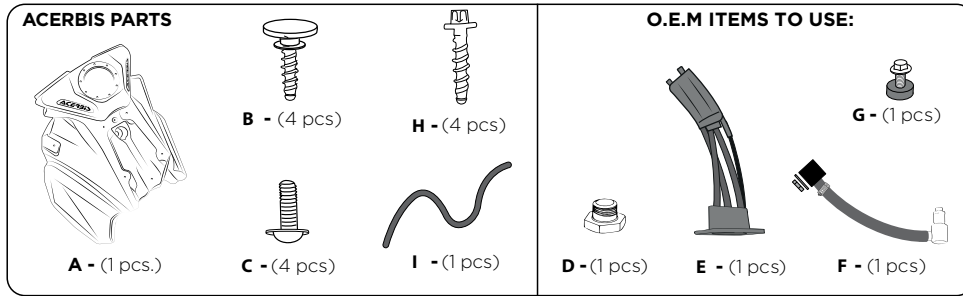


GASGAS EC/EC-F/MC-F/EX/EX-F FUEL TANK 12LT

SERBATOIO 12 LT GASGAS EC/EC-F/MC-F/EX/EX-F

ACERBIS

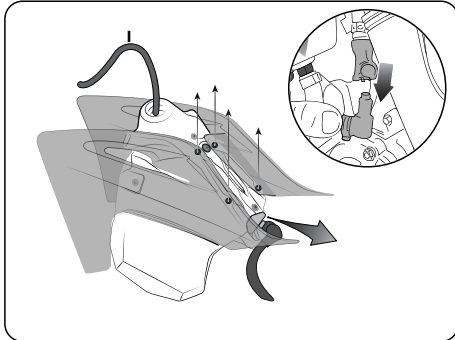
COD. 500007915



WARNING

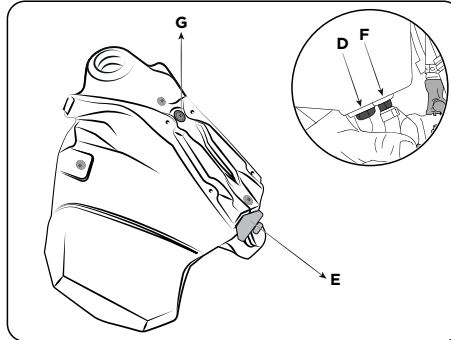
Durante il rimontaggio suggeriamo vivamente di utilizzare un grasso anti-grippante su tutte le viti (C).

Highly suggest to use anti-seize/grease lubricant on all bolt threads (C) going into the tank's metal inserts when reinstalling.



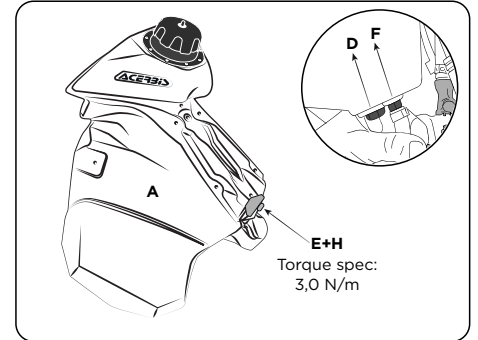
1 - Remove the radiator scoops. Disconnect the fuel pump cover cable and the fuel connector as indicated in the diagram. Replace the original breather pipe with the one in equipment (I).

1 - Togliere i fianchetti. Sconnettere il cavo di alimentazione della pompa. Scollegare connettore benzina. Sostituire tubo sfianto originale con quello in dotazione (I).



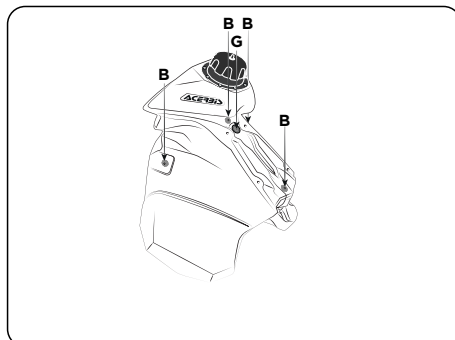
2 - Remove the tank screw (G), then empty any remaining fuel from the tank. Remove the (D/E/F) fasteners and remove the fuel pump.

2 - Togliere le viti del serbatoio (G). Svuotare completamente la benzina dal serbatoio e rimuovere le utenze (D/E/F).



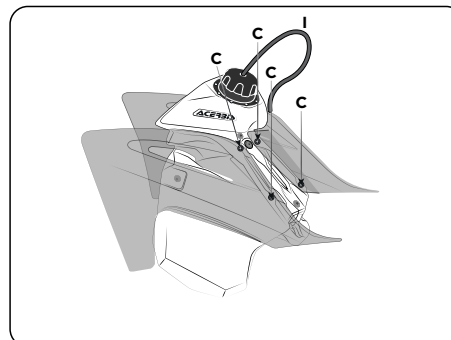
3 - On the fuel tank Acerbis (A), reconnect the fuel pump (E) using the screws (H) with the original hardware.

3 - Sul serbatoio Acerbis (A), rimontare la pompa (E) utilizzando le viti (H) e le utenze (D/F).



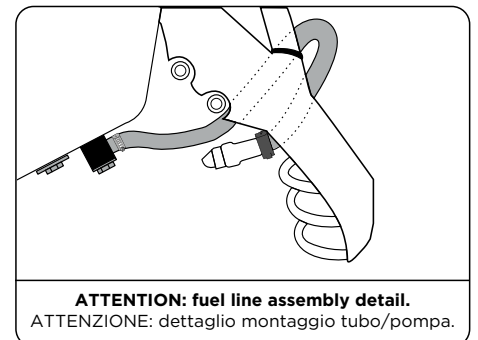
4 - Place the Acerbis fuel tank (A) on the bike. Insert the tank and seat screws (G/B) as indicated in the diagram. Reconnect the fuel pump power cable and the fuel connector.

4 - Posizionare il serbatoio Acerbis sulla moto. Riavvitare la vite serbatoio (G). Rimettere le viti (B) della sella e degli attacchi laterali. Connettere il cavo di alimentazione della pompa e il connettore benzina.



5 - Assemble the radiator scoops with the screws (C). Connect the tube (I) to the cap tank.

5 - Montare i fianchetti con le viti (C). Collegare il tubo (I) al tappo serbatoio.



ATTENTION: fuel line assembly detail.
ATTENZIONE: dettaglio montaggio tubo/pompa.

6 - Attach the KTM fuel line (F) to the Acerbis tank (A) as indicated in the diagram. Make sure the fuel line isn't folded over, obstructing the fuel flow.

6 - Fissare il tubo pompa come indicato. Fare attenzione che il tubo piegandosi non crei strozzature.

LIBERATORIA

LIBERATORIA: A causa di variabili inponderabili nel processo di stampaggio rotazionale dei serbatoi, questi possono differire in forma e dimensioni fino al 7% rispetto alla capacità dichiarata.

FOR COMPETITION USE ONLY
SOLO PER USO AGONISTICO



Thank you for purchasing an ACERBIS fuel tank

WARNING

It is **EXTREMELY IMPORTANT** that the fuel tank be properly installed. To ensure proper installation, it is **STRONGLY RECOMMENDED** that the tank be installed only by a qualified OEM licensed dealership mechanic. Improper installation could result in serious injury or even death.

If self-installed NOTE THE FOLLOWING. Particular attention must be paid to excessive fuel line length and fuel line proximity to hot engine areas and pipes to prevent fire.

Clean tank interior thoroughly before installation. Install this fuel tank only in a well ventilated area, as gasoline fumes are extremely dangerous. Do not start or operate the vehicle if there are any fuel leaks! Read all instruction first before beginning installation.

DISCLAIMER

Due to uncontrolled variables in the manufacturing process of rotationally molded fuel tanks, the fuel tank may vary in size and shape by up to 7% of the manufacturer's original listed capacity.