

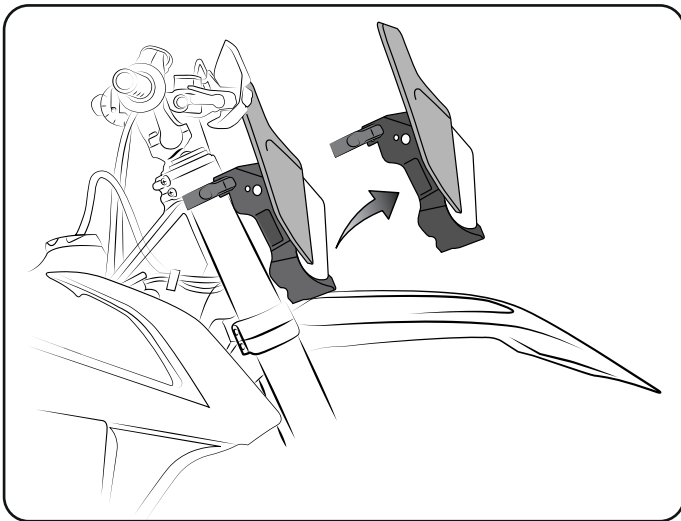
# HEADLIGHT HUSQVARNA 2020

## MASCHERINA HUSQVARNA 2020

**ACERBIS**

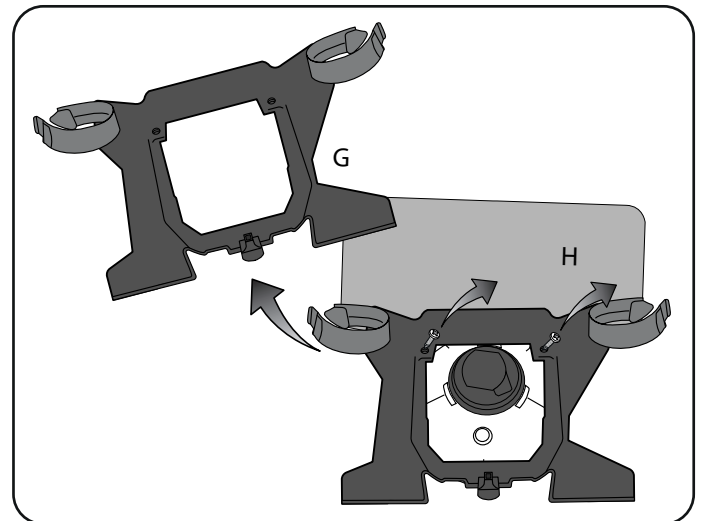
COD. 500007729 REV.1

ACERBIS PARTS				O.E.M. PARTS	
A - (1 pcs)	B - (1 pcs)	E - (2 pcs)	F - (1 pcs)	G - (1 pcs)	H - (2 pcs)
		C - (2 pcs)	D - (1 pcs)		



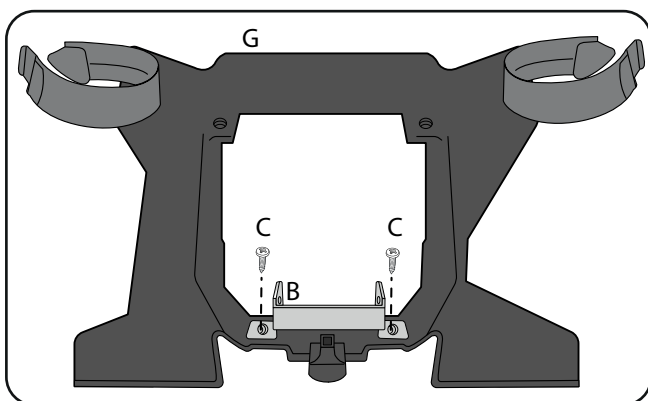
**1 - Remove the original headlight mask from the bike.**

1 - Rimuovere la mascherina originale.



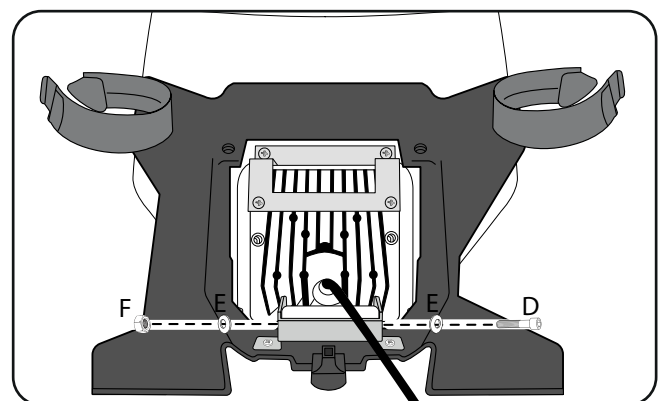
**2 - Unscrew the 2 screws (H) and remove the frame (G) from the original headlight mask.**

2 - Togliere le 2 viti (H) e rimuovere il telaio (G) dalla mascherina originale.



**3 - Assemble the bracket (B) on the original frame (G) using the screws (C).**

3 - Montare la staffa (B) al telaio originale (G) utilizzando le viti (C).



**4 - Attach the ACERBIS Headlight (A) to the original frame by inserting the screws (D), the washers (E) and the nut (F) through the (B) bracket.**

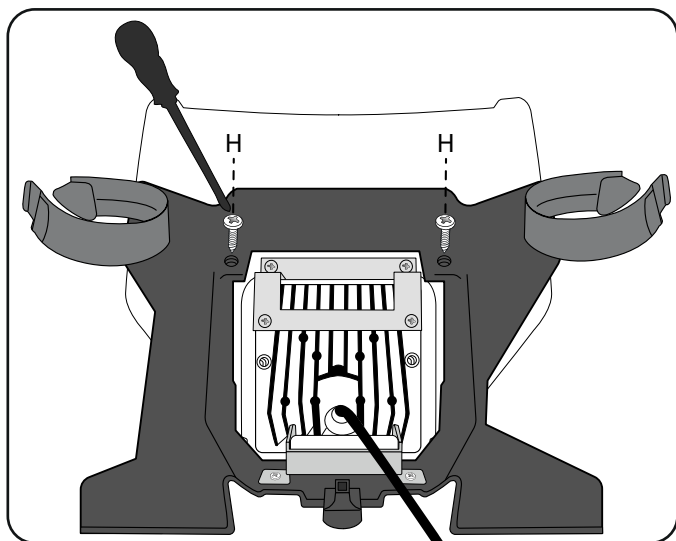
4 - Inserire la mascherina ACERBIS (A) nella staffa (B) utilizzando la vite (D) le rondelle (E) e il dado (F).

# HEADLIGHT HUSQVARNA 2020

## MASCHERINA HUSQVARNA 2020

**ACERBIS**

COD. 500007729 REV.1



**5 - Attach the original frame (G) to the table number plate (A) using the 2 original screws (H).**

5 - Fissare il telaio originale (G) alla tabella portanumero (A) utilizzando le 2 viti originali (H).

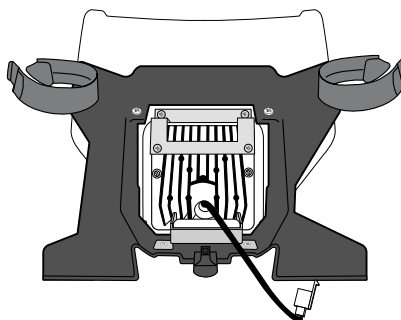


**6 - Connect the cables and mount the ACERBIS mask using the original rubber bands.**

6 - Collegare i cavi e montare la mascherina ACERBIS utilizzando gli elastici originali.

**WARNING!**  
**MAX 9-32 V DC**

**ATTENZIONE!**  
**CORRENTE CONTINUA**  
**MAX 9-32 V**



**WARNING!**

Use at your own risk. Check the security of your device before you ride. Be sure that you follow the instructions installing the Acerbis products. Do not ride if there is missing or damaged hardware. If this is the case, take the item immediately back to your dealer. Make sure the throttle and other controls are free every time you ride. Lack of attention to instruction and warning could lead to interference with the controls, loss of control, and an accidents. Acerbis recommends that installation must be done by a licensed mechanic and that only Acerbis original parts are used during fitting. Acerbis makes no guarantees or representations, express or implied, regarding the fitness of its products for any particular purpose. Acerbis makes no guarantees or representations, express or implied, regarding the extent to which its product protect individuals or property from injury or death or damage.

**WARNING: In the event that the headlight is connected directly to the battery, once the motorcycle has been switched off, make sure the headlight is turned off. This is to prevent the battery from running down quickly.**

ATTENZIONE: Nel caso in cui il faro venisse collegato direttamente alla batteria, una volta spenta la moto, anche il faro dovrà essere immediatamente spento. Questo per evitare che la batteria stessa si scarichi velocemente.

ACERBIS ITALIA S.P.A. VIA SERIO, 37 - 24021 ALBINO (BG) - ITALY

Phone +39 035773577 - Fax +39 035773570 - INFOMOTO@ACERBIS.IT - WWW.ACERBIS.COM

ACERBIS U.S.A. Inc.

MAIL P.O. BOX 2030 SUN VALLEY, ID 83353 SHIP 110 LINDSAY CIRCLE KETCHUM, ID 83340

Phone (800) 659-1440 - Fax (208) 726-7039 - INFOUSA@ACERBIS.COM

ACERBIS U.K. Ltd

UNIT 2 LUTON ENTERPRISE PARK SUNDON PARK ROAD LUTON, BEDFORDSHIRE LU3 3GU GREAT BRITAIN

Phone +44 1582491076 - Fax +44 1582499639 - UKINFO@ACERBIS.IT