

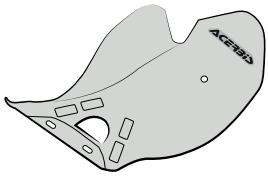
# SKID PLATE KAWASAKI KXF 450

## SOTTOMOTORE KAWASAKI KXF 450

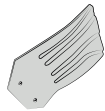
**ACERBIS®**

COD. 500006124

### ACERBIS PARTS



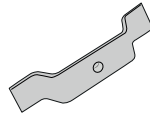
**A (1 pcs)**



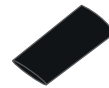
**B (1 pcs)**



**C (1 pcs)**



**D (1 pcs)**



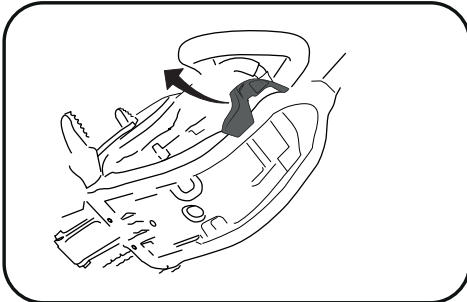
**E (1 pcs)**



**F (2 pcs)**

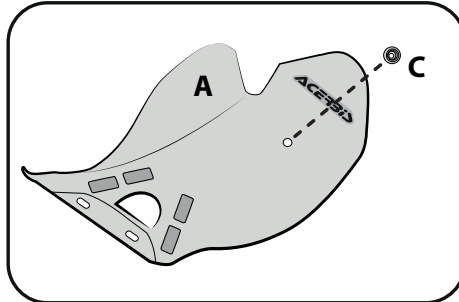


**G (1 pcs)**



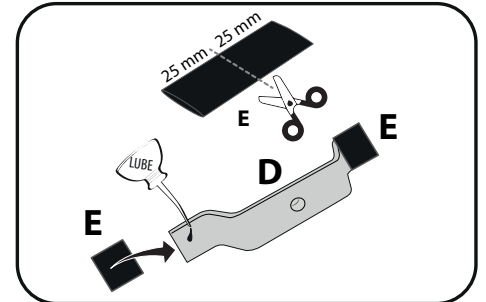
**1 - Remove the original water pump guard.**

1 - Smontare la protezione originale.



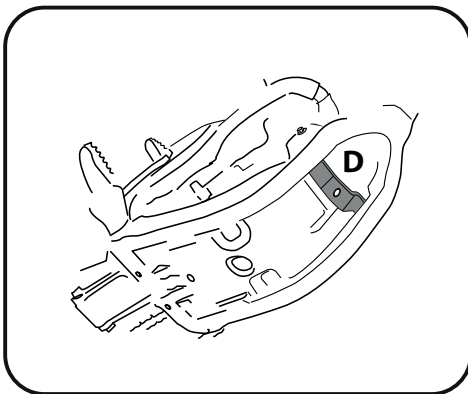
**2 - Insert the (C) washer to the inside of the plate as indicated in the image**

2 - Inserire la boccia (C) nel sottomotore (A).



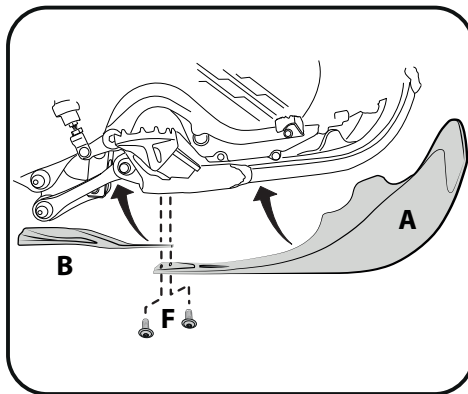
**3 - Cut the rubber tubing (E) into 2 pieces and attach to each side of the (D) bracket.**

3 - Infilare nella staffa (D) i 2 gommini (E).



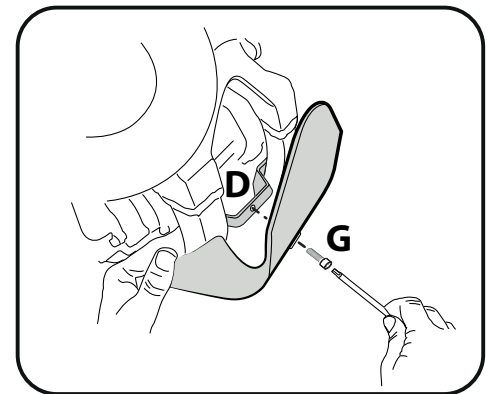
**4 - Insert the (D) bracket to the backside of the frame as indicated in the imaged.**

4 - Inserire la staffa (D) sul telaio.



**5 - Loosely attach the linkage guard (B) to the skid plate (A) with the (F) bolts and then place the plate to the bike. The (F) bolts will thread into the existing holes on the frame but do not tighten completely.**

5 - Montare il sottomotore (A) e la pinna (B) utilizzando la vite (F) fare solo 3 giri di vite. Inserire l'altra vite (F) fare solo 3 giri di vite.



**6 - Using the left hand, secure the (D) bracket while lining up the (G) bolt through the (C) washer to attach the plate in the front. Then tighten the (F) and (G) bolts until the skid plate is secure.**

6 - Sul lato dx della moto, con la mano sx tenere in posizione la staffa (D). Con la chiave inserire la vite (G) nella boccia e quindi nella staffa (D). Infine bloccare le viti (F/G).

### WARNING!

Use at your own risk. Check the security of your device before you ride. Be sure that you follow the instructions installing the Acerbis products. Do not ride if there is missing or damaged hardware. If this is the case, take the item immediately back to your dealer. Make sure the throttle and other controls are free every time you ride. Lack of attention to instruction and warning could lead to interference with the controls, loss of control, and an accidents. Acerbis recommends that installation must be done by a licensed mechanic and that only Acerbis is original parts are used during fitting. Acerbis makes no guarantees or representations, express or implied, regarding the fitness of its products for any particular purpose. Acerbis makes no guarantees or representations, express or implied, regarding the extent to which its product protect individuals or property from injury or death or damage.